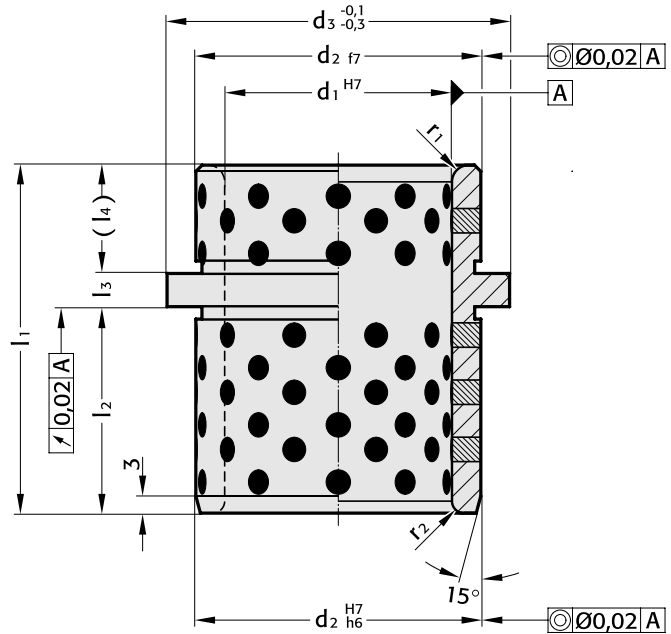


1272

With flange, self-lubricating bushing 带法兰，自润滑轴套



1272.



Material 材料:

CuZn25Al5Fe3Mn3+ 固体润滑剂 Solid lubricant

Note 注意:

The inner diameter contracts when pressed.
压入时内径收缩。

1272. With flange, self-lubricating bushing
1272. 带法兰，自润滑轴套

| | | | | | | | | | | |
|----|------|------|------|------|------|------|------|------|------|------|
| d1 | 25 | 30 | 40 | 40 | 50 | 50 | 60 | 63 | 63 | 63 |
| d2 | 35 | 42 | 50 | 50 | 63 | 63 | 80 | 80 | 80 | 80 |
| d3 | 40 | 47 | 60 | 60 | 72 | 72 | 86 | 90 | 90 | 90 |
| r1 | 3 | 3 | 4 | 4 | 4 | 4 | 3 | 4 | 4 | 4 |
| r2 | 2 | 2 | 2 | 2 | 3 | 3 | 3 | 3 | 3 | 3 |
| l1 | 43 | 43 | 60 | 64 | 77 | 92. | 78 | 95 | 100 | 108 |
| l2 | 24 | 24 | 35.5 | 39.5 | 44.5 | 55.5 | 49 | 55.5 | 62.5 | 62.5 |
| l3 | 7.5 | 7.5 | 6 | 6 | 8 | 8 | 7.5 | 8 | 8 | 8 |
| l4 | 11.5 | 11.5 | 18.5 | 18.5 | 24.5 | 28.5 | 21.5 | 31.5 | 29.5 | 37.5 |



Order 订购

Catalog No. 目录号

1272

d₁

025

l₁

043